



REPLY TO
ATTENTION OF

DEPARTMENT OF THE ARMY
THE INSTITUTE OF HERALDRY
9325 GUNSTON ROAD, ROOM 9112
FORT BELVOIR, VIRGINIA 22060-5579

AAHS-IHS (840-10a)

20 DEC 2013

MEMORANDUM FOR Commander, 8th Psychological Operations Group, ATTN: LTC Robert Sterbutzel, 326 Conifer Drive, Fayetteville, NC 28314

SUBJECT: Beret Flash and Background Trimming for the 8th Psychological Operations Group

1. In accordance with the provisions of AR-670-1, a beret flash and background trimming are authorized for wear by members of the 8th Psychological Operations Group.
2. The descriptions of the designs are as follows:

BERET FLASH

A bottle green shield-shaped embroidered item with a semi-circular base 2 1/4 inches (5.72 cm) in height and 1 7/8 inches (4.76 cm) in width overall, divided diagonally from upper left to lower right by a black bend charged with a yellow lightning bolt flanked by a pair of bendlets each 1/16 inch (.16 cm) on either side silver gray and white; all within a 1/8 inch (.32 cm) black inner border and a 1/8 inch (.32 cm) smoke outer border.

BACKGROUND TRIMMING

A bottle green oval-shaped embroidered item 1 3/8 inches (3.49 cm) in height and 2 1/4 inches (5.72 cm) in width overall, divided diagonally from upper left to lower right by a black bend charged with a yellow lightning bolt flanked by a pair of bendlets each 1/16 inch (.16 cm) on either side silver gray and white; all within a 1/8 inch (.32 cm) black inner border and a 1/8 inch (.32 cm) smoke outer border.

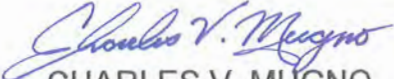
CABLE NUMBERS OF COLORS

Black	#67138
Golden Yellow	#67104
White	#67101
Silver Gray	#67137
Bottle Green	#67191
Smoke	#67201

AAHS-IHS (840-10a)

SUBJECT: Beret Flash and Background Trimming for the 8th Psychological Operations Group

3. This authorization does not grant exclusive use of the above colors and pattern design for the 8th Psychological Operations Group.

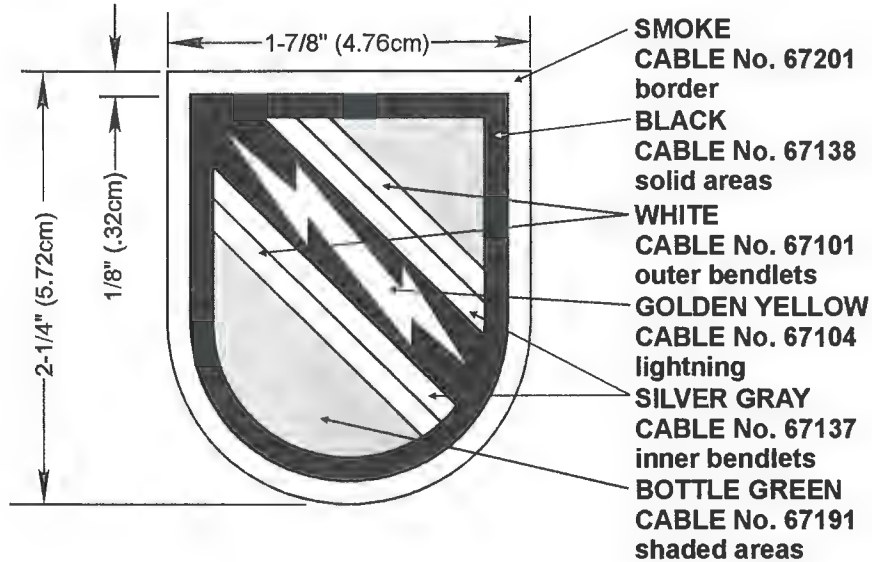


CHARLES V. MUGNO
Director

CF: CMH

REVISIONS

LTR	DESCRIPTION	DATE	APPROVED
-----	-------------	------	----------

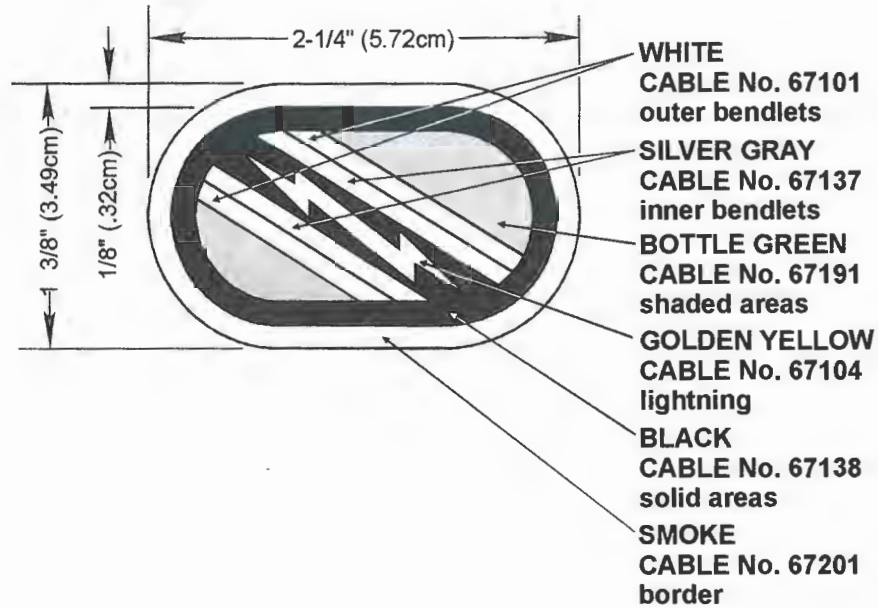


DESIGNED FOR OVEREDGE STITCHING

UNLESS OTHERWISE SPECIFIED DIMENSIONS ARE IN INCHES TOLERANCES ON FRACTIONS DECIMALS ANGLES	THE INSTITUTE OF HERALDRY, DEPARTMENT OF THE ARMY 9325 GUNSTON RD, RM S-113 FORT BELVOIR, VA 22060-5579	
	BERET FLASH FOR EIGHTH PSYCHOLOGICAL OPERATIONS GROUP	
MATERIALS: TO BE MANUFACTURED IN-ACCORDANCE WITH MIL-DTL-14652	EXAMINED <i>R</i>	
	CHECKED <i>ym</i> <i>500</i>	
PREPARED CLH		SIZE CONTROL IDENT. NO A 22571
APPROVED <i>Charles V. Mugno</i> CHARLES V. MUGNO DIRECTOR	A-4-289	SCALE FULL DATE 18 DECEMBER 2013

REVISIONS

LTR	DESCRIPTION	DATE	APPROVED
-----	-------------	------	----------



DESIGNED FOR OVEREDGE STITCHING

UNLESS OTHERWISE SPECIFIED DIMENSIONS ARE IN INCHES TOLERANCES ON FRACTIONS DECIMALS ANGLES

EXAMINED		
CHECKED	<i>fm</i>	<i>580</i>
PREPARED	CLH	

APPROVED
Charles V. Mugno
 CHARLES V. MUGNO
 DIRECTOR

THE INSTITUTE OF HERALDRY, DEPARTMENT OF THE ARMY
 9325 GUNSTON RD, RM S-113 FORT BELVOIR, VA 22060-5579

BACKGROUND TRIMMING FOR
EIGHTH PSYCHOLOGICAL OPERATIONS GROUP

SIZE	CONTROL IDENT. NO	
A	22571	A-6-314

SCALE FULL DATE 18 DECEMBER 2013

